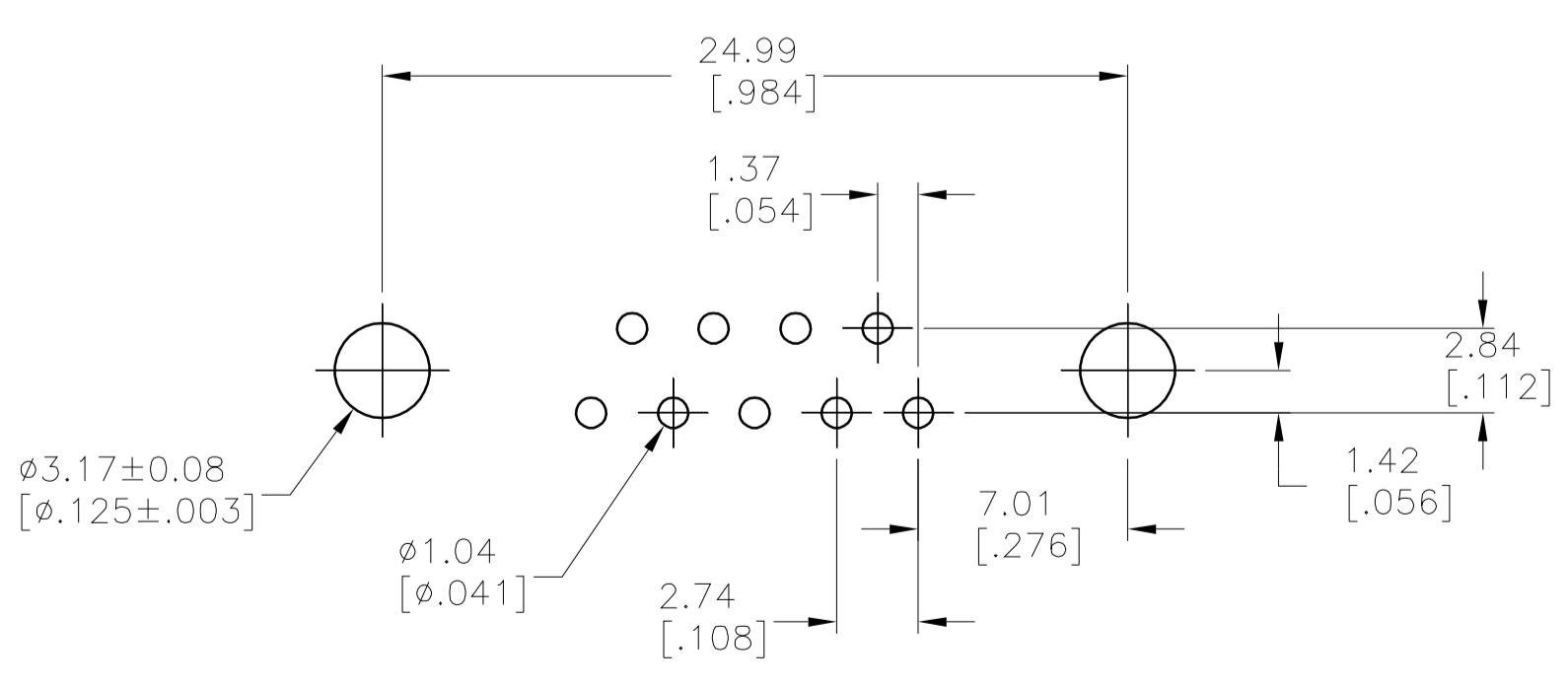
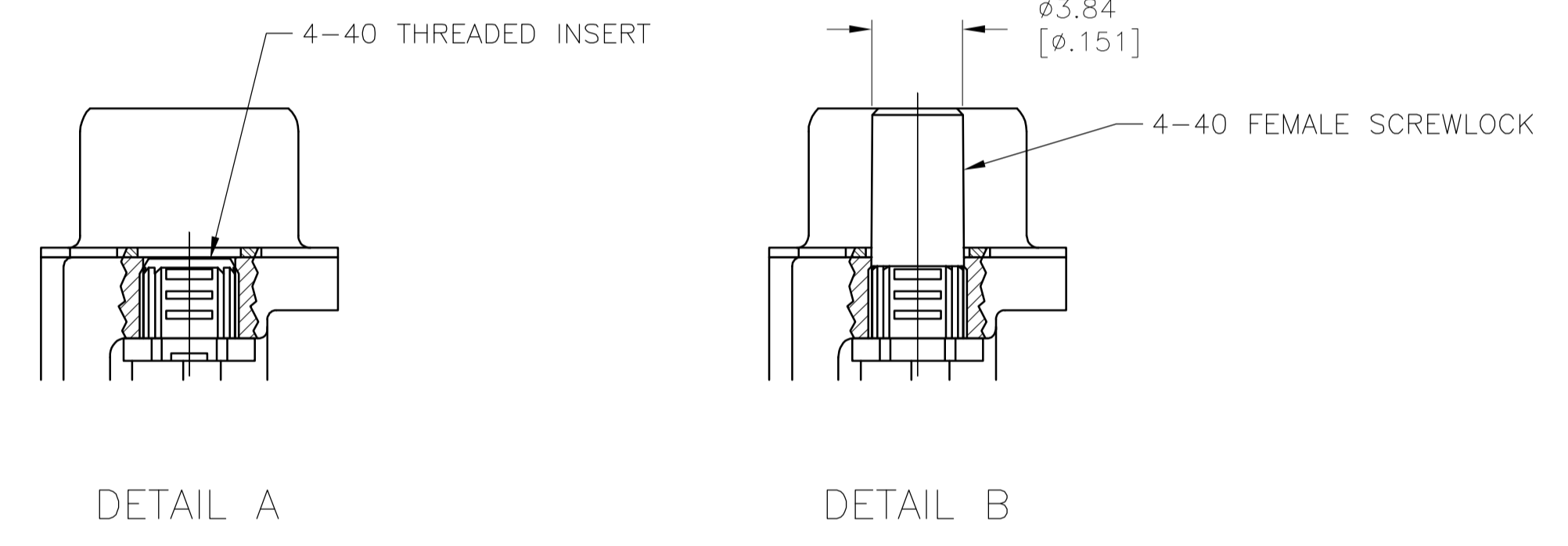
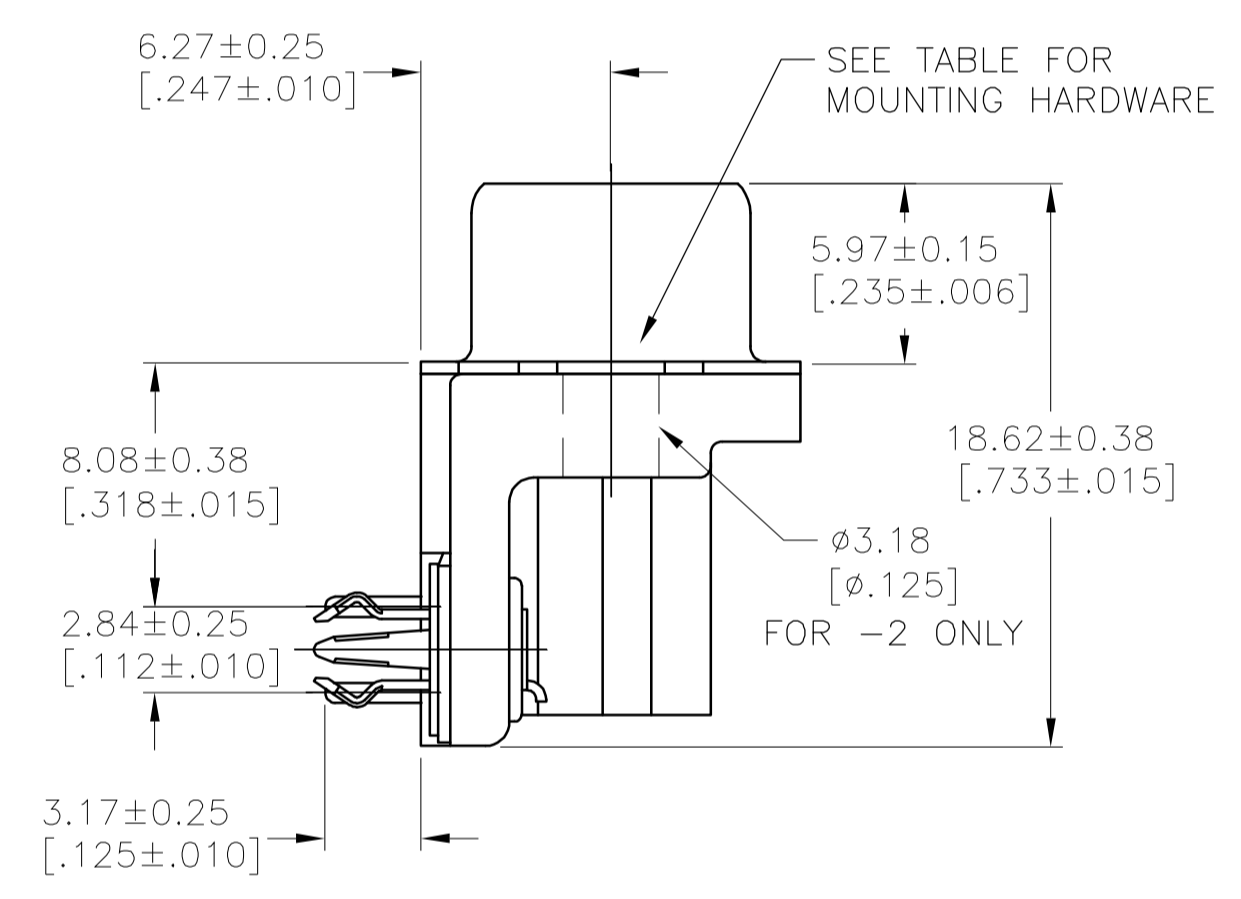
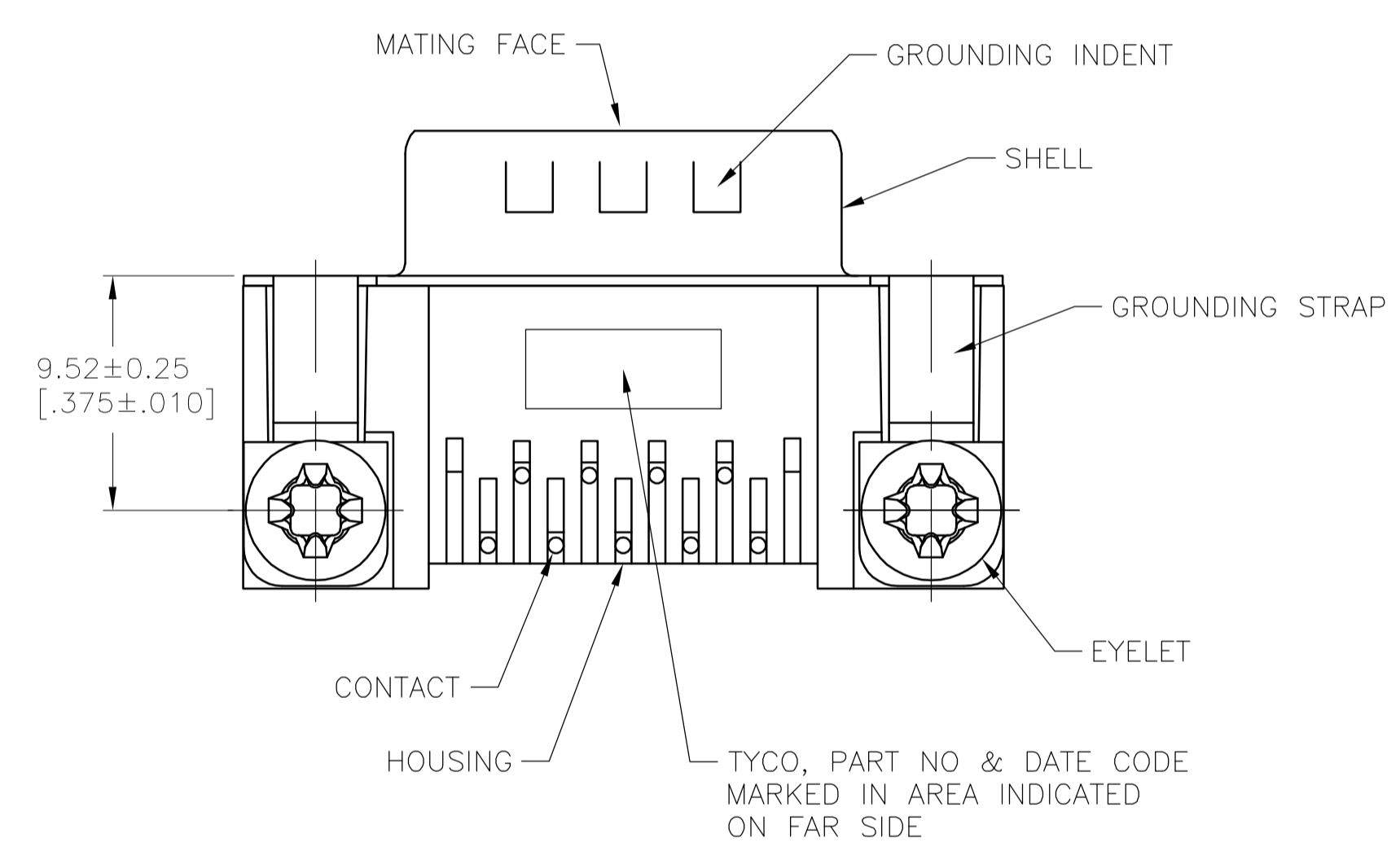


- △ HOUSING: NYLON OR POLYESTER, FLAME RETARDANT, 94V-0 RATED, COLOR BLACK.  
SHELL: CARBON STEEL.  
CONTACTS: BRASS.  
EYELETS: BRASS.  
BOARDLOCKS: COPPER ALLOY.  
INSERTS: ZINC.  
SCREWLOCKS: ZINC.
- △ SHELL: .00254 [.000100] MIN TIN OVER .00127 [.000050] MIN COPPER.  
CONTACTS: SEE TABLE.  
EYELETS: .00508 [.000200] MIN TIN OVER COPPER FLASH.  
BOARDLOCKS: .00508 [.000200] MIN TIN OVER .00127 [.000050] MIN NICKEL.  
INSERTS: CLEAR CHROMATE.  
SCREWLOCKS: CLEAR CHROMATE.
- △ .00076 [.000030] MIN GOLD ON MATING END, .00254 [.000100] MIN TIN ON SOLDER END, ALL OVER .00127 [.000050] MIN NICKEL.  
-OR-  
GOLD FLASH OVER .00076 [.000030] MIN PALLADIUM NICKEL ON MATING END, .00254 [.000100] MIN TIN ON SOLDER END, ALL OVER .00127 [.000050] MIN NICKEL.
- △ GOLD FLASH ON MATING END, .00254 [.000100] MIN TIN ON SOLDER END, ALL OVER .00127 [.000050] MIN NICKEL.



△	SEE DETAIL B	5747840-6
△	SEE DETAIL B	5747840-5
△	SEE DETAIL A	5747840-4
△	SEE DETAIL A	5747840-3
△	NONE	5747840-2
	CONTACT FINISH	PART NUMBER
	MOUNTING HARDWARE	

**COPYRIGHT 2005  
 TYCO ELECTRONICS CORP  
 ALL RIGHTS RESERVED**

THIS DRAWING IS A CONTROLLED DOCUMENT.		DIN J.GERACE 07FEB05	<b>tyco</b> Electronics	Tyco Electronics Corporation Harrisburg, Pa 17105		
DIMENSIONS: mm[INCHES]		CIK S.BOLASH 07FEB05		NAME M.WALMSLEY 07FEB05		
TOLERANCES UNLESS OTHERWISE SPECIFIED:		0 PLC ± -	PRODUCT SPEC	PLUG ASSEMBLY, SIZE 1, 9 POS, RIGHT ANGLE, FRONT METAL SHELL, 8.08[.318] SERIES, AMPLIMITE HD-20		
		1 PLC ± -	APPLICATION SPEC	108-40025		
		2 PLC ± -	SIZE	114-40010		
		3 PLC ± 0.13[.005]	WEIGHT	-		
		4 PLC ± -	CUSTOMER DRAWING	SCALE 4:1 SHEET 1 OF 1 REV A		
		ANGLES ± ± °	FINISH			